

Hydraulic Loaders

16000 SERIES III

Technical Specifications

Material Handling Systems





Specifications

42' Boom (2H)

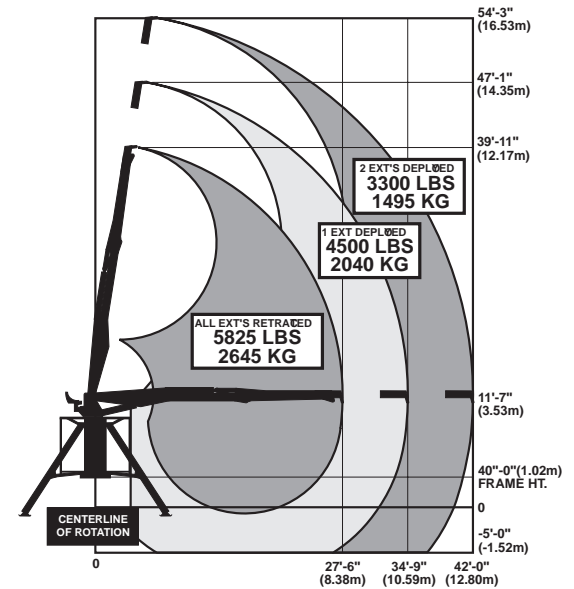
Crane Rating	160,000 ft-lb (22.1 tm)
Horizontal Reach from centerline of rotation	42'0" (12.8 m)
Hydraulic Extension	(double) 87" + 87" (221.0 cm + 221.0 cm)
Lifting Height from base of crane*	54'3" (16.5 m)
Crane Weight base unit with platform and chair	10,500 lb (4762 kg)
Outrigger Span at ground level	17'6" (5.3 m)
Crane Storage Height*	13'2" (4.0 m)
Mounting Space Required crane base	36" (91 cm)
Optimum Pump Capacity tandem pump (each section)	16 + 16 U.S. gpm (60.5L/min + 60.5L/min)
Oil Reservoir Capacity	40 gallon (151 L)
Center of Gravity horizontal from centerline of rotation**	95" (241.3 cm)
vertical from bottom of crane base**	62" (157.5 cm)

* Based on 40" (102 cm) truck frame height.

** Based on crane with chair and platform in stored position and extension boom retracted with fork and rotator installed – fork, rotator and link weigh approximately 600 lb (272 kg).

Capacity Chart

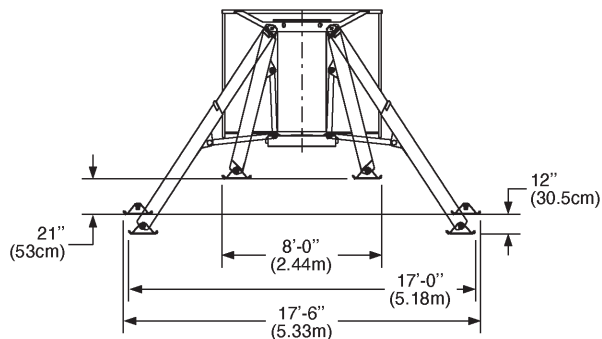
42' Boom



70396325

- Capacities through geometric range are limited to those shown in horizontal position.
- Loads shown are based on crane structural to hydraulic capability. Before lift is made, stability must be checked per SAE J765A.
- Working loads will be limited to those shown. Deduct the weight of load handling devices.

Outrigger Dimensions



16000 Series III Hydraulic Loaders

Performance Characteristics

Rotation	450°	42 seconds
Inner Boom Elevation	-5° to +80°	21 seconds
Outer Boom Articulation	170°	21 seconds
Outrigger Extension	52 1/2" (133.4 cm)	6.5 seconds
Extension Cylinder		
42' Boom	87" + 87" (221.0 cm + 221.0 cm)	10 + 10 seconds

All times are theoretical and based on an optimum pump capacity of 16 gpm.

Cylinders	Bore	Stroke
Inner Boom Cylinder	7" (17.8 cm)	34" (86.4 cm)
Outer Boom Cylinder	6 1/2" (16.5 cm)	50" (127.0 cm)
Outrigger Cylinders	3 1/2" (8.9 cm)	52 1/2" (133.4 cm)
Extension Boom Cylinder		
42' Boom	3" + 3" (7.6 cm + 7.6 cm)	87" + 87" (221 cm + 221 cm)

Power Source

Integral mounted tandem hydraulic pump and PTO application. Other standard power sources may be utilized. Minimum power required is 70 horsepower.

Cylinder Holding Valves

The holding sides of all cylinders are equipped with integral mounted counterbalance valves or load-holding check valves to prevent sudden cylinder collapse in case of hose or other hydraulic component failure. In addition, the outer and extension cylinders feature double counterbalance valves. The outrigger cylinders feature dual load-holding check valves.

The counter-balance valve serves several functions. First, it is a holding valve. Second, it is constructed so that it will control the lowering function and allow that motion to be feathered while under load. Finally, if a hose breaks the only oil loss will be that in the hose. The dual load-holding check valves in the outrigger cylinders prevent the cylinders from drifting down during transport and prevent the cylinders from collapsing should a hose break when the outriggers are set.

Rotation System

Rotation of the loader is accomplished through a turntable bearing, powered by a high-torque hydraulic motor through a heavy-duty gear box equipped with a heat-treated pinion. The pinion runs on the external teeth of the turntable bearing to accomplish the rotation function. Standard rotation is 450°. Total gear reduction is 137.5:1.

Hydraulic System

Open-centered, full-pressure system with tandem pump requiring 16 + 16 U.S. gpm (60.5 L/min + 60.5 L/min) optimum oil flow at 3000 psi (206.9 bar). Control valve consists of two stack-type valve banks. All crane (excluding outriggers) and wallboard functions are operated either by joy sticks or foot throttles via a pilot source of oil from the valve banks. Outrigger controls – located at the base of the crane – are of the push/pull type, connected directly to the valve bank. System includes hydraulic oil reservoir, pressure-filters, return-filter and control valve bank.

Capacity Alert System

A pressure sensor mounted on the inner boom cylinders and connected hydraulically to the down side of the inner boom, the lift side of the outer boom and extend side of the extension boom provides a capacity alert system. If the operator tries to lift a load in excess of crane capacity, the inner boom lift and lower, the outer boom lift and the extension out functions will not operate. To relieve the condition, the outer boom can be lowered or the extension retracted.

Minimum Chassis Specifications

Chassis Style	Conventional Cab
Front Axle Rating (GAWR)	16,000 lb
Rear Axle Rating (GAWR)	40,000 lb
Wheelbase	269"
Cab-To-Axle	210"
Frame Section Modulus	30 in ³
Resistance To Bending Moment	3,300,000 in-lb

In addition to these specifications, heavy-duty electrical and cooling systems and tandem rear axles with dual wheels are required. It is recommended that the vehicle be equipped with an electric engine tachometer and auxiliary brake locks.

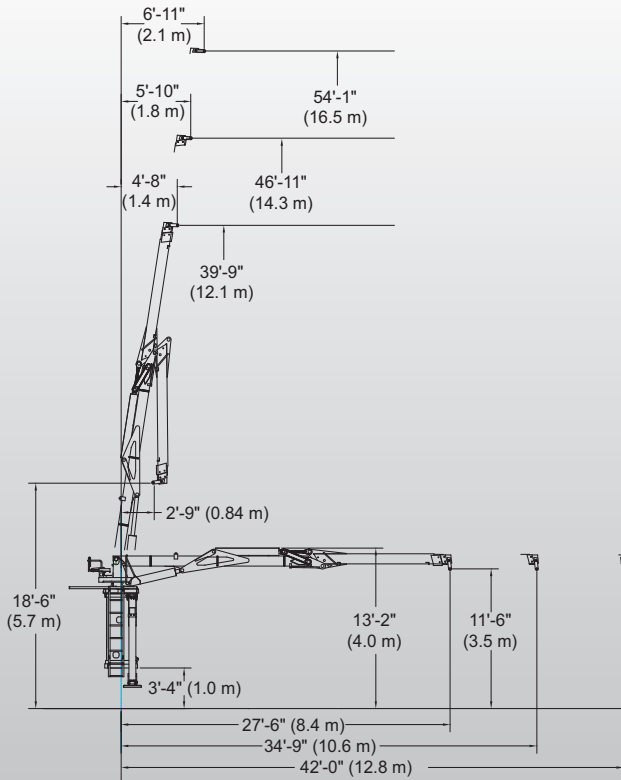
NOTES

1. GAWR means Gross Axle Weight Rating and is dependent on all components of the vehicle such as axles, tires, wheels, springs, brakes, steering and frame strength meeting the manufacturer's recommendations. Always specify GAWR when purchasing a truck.
2. Minimum axle requirements may increase with use of diesel engines or longer wheelbase. Contact the factory for further information.
3. Weight distribution calculations are required to determine final axle loading.
4. All chassis, crane and body combinations must be stability-tested to ensure stability per ANSI B30.22.

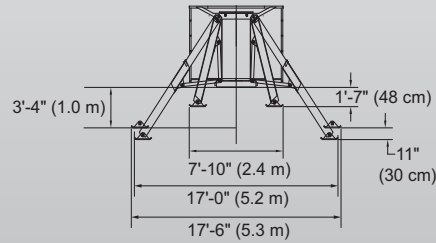


16000 Series III Hydraulic Loaders

Geometric Configuration



42' Boom



Iowa Mold Tooling Co., Inc.

500 Highway 18 West
 P.O. Box 189
 Garner, Iowa 50438-0189
 (641) 923-3711
 Fax: (641) 923-6063
 www.imt.com

(800) 247-5958

IMT and the IMT LOGO are registered trademarks or trademarks of Iowa Mold Tooling Co., Inc.

Copyright © 2005 Iowa Mold Tooling Co., Inc.
 All Rights Reserved

Manufacturer's Limited Warranty Coverage

Products manufactured by IMT are warranted to be free from defects in material and workmanship, under proper use, application and maintenance in accordance with IMT's written recommendations, instructions and specifications as follows:

1. One (1) year: labor on IMT workmanship.
2. One (1) year: original IMT parts.
3. Three (3) years: crane structural.

For policy details please refer to the IMT warranty policy.

IMT reserves the right to change specifications and design without notice.